

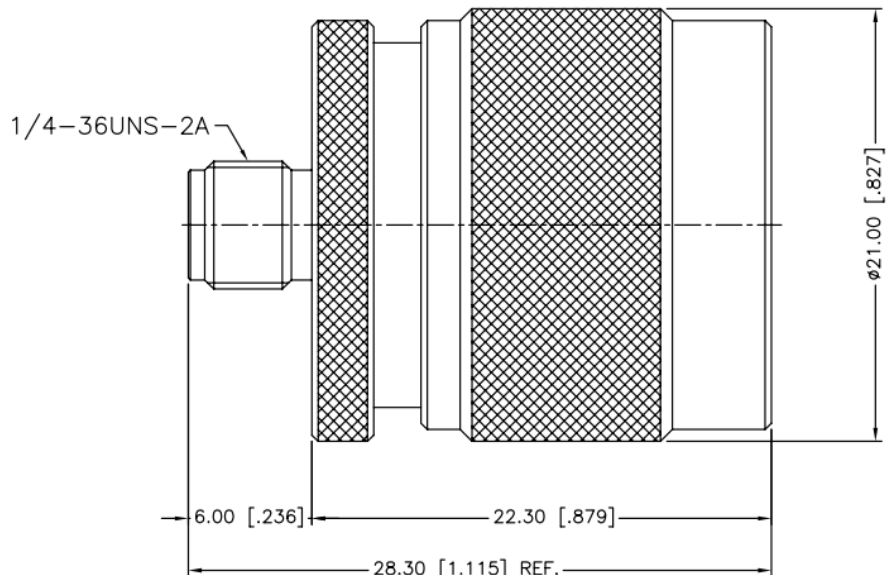
### Description

Adapters have a wide range of adapters in various configurations like within series or between series, straight or angled designs and some with panel mount features. They are classified according its typical intended applications of which each require its specific properties.

### Adapter, N Plug to SMA Jack

**PART No:** VSW-AD-242113-S

<b>Brand</b>	Amphenol
<b>Orientation</b>	Straight
<b>Impedance (Ohms)</b>	50
<b>Adapter Side 1</b>	N-Type
<b>Side 1 Gender</b>	Plug
<b>Adapter Side 2</b>	SMA
<b>Side 2 Gender</b>	Jack
<b>Body Finish</b>	Nickel
<b>Body Material</b>	Brass
<b>Contact Finish</b>	Gold
<b>Contact Material</b>	Phosphor Bronze
<b>Insulator Material</b>	PTFE
<b>Max Frequency (GHz)</b>	11
<b>Min. Temp. (Celsius)</b>	-65
<b>Max. Temp. (Celsius)</b>	165
<b>Weight (Grams)</b>	36.9



### VINSURWAVES

**Address:** No 07, Muninanjareddy building, 1st Main, Thirupalaya(Near Venkateshwara Temple), Bommasandra Industrial Area, (Near Electroncity), Bangalore-560099, INDIA, Phone: 080-28520115, Mob: +91- 9886991616, E-mail: info@vinsurwaves.com | Website: www.vinsurwaves.com.